




milkingrobot equipment and peripherals

Robot Components

Product
brochure

A black and white cow is the central focus of the image, standing in a lush green field. The cow is facing left, and its body is covered in characteristic black spots on a white background. The background shows a clear blue sky and a distant horizon line with some trees. The overall scene is bright and natural, suggesting a healthy and happy environment for the cow.

Boetech was founded in 1997, inspired by the first prototype of the Lely Astronaut milking robot. We offer innovative, efficient and reliable highly quality products that add value to your automatic milking system.

Over the years we have built up a wide range of products. Our committed and innovative approach is based on 25 years of experience. Milk quality, cow friendly products and free cow traffic form the foundation of our policy, and are at the basis of the development of new products. Free cow traffic means the cow can eat, drink and get milked without hindrance, whenever the cow wants to. At each stage of production rigorous quality tests are carried out by the experts to ensure the best equipment. Clean drinking water is important for the health of the cow and the milk production: 85% of milk consists water. The more clean water the cow drinks, the better the health of the cow and thus indirectly the milk quality.

We collaborate with dairy farmers to create sustainable and cost-effective products that meet our business goals. The company's success was and is based on efficiency and optimization.

For more than twenty years we have been certified installer of the Lely Milk robot in the Benelux. We are proud of our bond with international dairy farmers and our continuing international growth.

A healthy, happy cow results in a satisfied farmer and a higher milk yield, with better milk quality!

Table of contents

1. ROBOT

RFSFA Floor Frame	4
Floor nozzle	4
Heifer milking bracket	5
Brush sprayer	6
Slow pump M4use	6
Manure disposal trap	7
Robot arm hood	8
Tools (Bearing puller, Support bearing plate)	8
Backflow preventer	9

2. VECTOR

Magnetic safety switch	10
Watervalue without pressure	10

3. COSMIX

Feed funnel	10
-------------	----

4. DISCOVERY

Wheel discovery adjusted welded ring	11
--------------------------------------	----

4
4
5
6
6
7
8
8
9
9
10
10
10
10
11
11
11

1. Robot

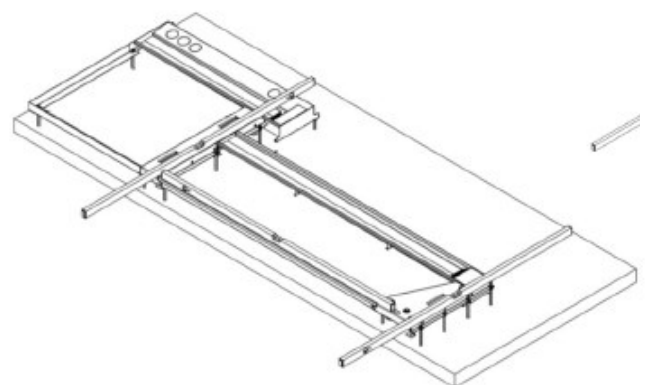


RFSFA FLOOR FRAME

The steel frame is poured into the concrete floor and gives the correct position of the robot's fixation on the floor.

The RFSFA can facilitate the preliminary process: drain pits are positioned. Frames are of excellent quality and specially developed for the Lely A4 and A5. In order to be able to anchor the weighing floor correctly, the robot floor with underlying beams or walls must have a proper construction to be able to carry the weight of the weighing floor and cow (maximum 1200 kg).

It is advisable to make a formwork, and fill it with concrete for a solid construction. The concrete used must meet the specifications of NEN-EN 206-1 and NEN 8005.



RFSFA FRAME

Recommended by Lely Industries, stainless steel



Part No.	Description
310270	RFSFA Left
311270	RFSFA Right

FLOOR NOZZLE

Boetech floor nozzels ensure cleaner floors in the robot, reducing bacterial growth and lessens the odour.

The floor nozzle bar is installed in the Lely Astronaut.

This guarantees treatment at every milking.

The Boetech nozzle bar is developed in order to obtain cleaner robot floor and cleaner hoofs. A system that consists a control unit to regular the water pressure and two spray nozzles. One nozzle for each back hoof.

The management is linked to the cleaning of the teat liner. Just before the cow gets out of the box, the hooves get washed with a mixture of water en soap. Once a cow walks out of the robot, their claws are covered and clean. Water and a liquid will be sprayed on the robot floor. A minimum water pressure of 15 liters/minute is required for optimum operation of the nozzle bar.

FLOOR NOZZLE

Stainless steel



Part No.	Description
300800	Floor nozzle A3
300810	Floor nozzle A4/A5 Right
300840	Mounting set Floor nozzles



HEIFER MILKING BRACKET

Prevents restless heifers from moving too much in the robot. Because of the non sharp ends, design this will not harm the cows.

Milking a freshened heifer for the first time is often a very different experience than milking a mature cow. Sometimes the first time milking of restless heifers can be complicated.

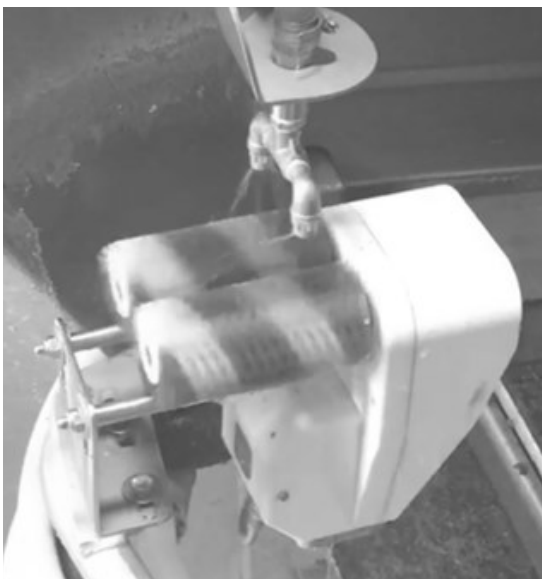
A Heifer has never been milked before, so this is a brand new experience for her. The heifer milking bracket prevents restless heifers from moving too much in the longitudinal direction during the first time of milking.

HEIFER MILKING BRACKET

Stainless steel



Part No.	Description
300385	Heifer milking bracket left
300386	Heifer milking bracket right



BRUSH SPRAYER

The brush spray provides an accurate, optimal and consistent method for applying AstriL on the brushes after milking. With two spray heads the AstriL will be divided more evenly.

Easy to install. We have developed this for cleaning and reducing bacterial growth on the brushes. The product does not cause damage to either robot or brushes.

BRUSH SPRAYER

Part No.	Description
7410025	Brush sprayer A3/A3 Next Set with pressure regulator to reduce from 6 to 3 bar.
7410026	Brush sprayer A4 typ 1 Set incl. support bracket.



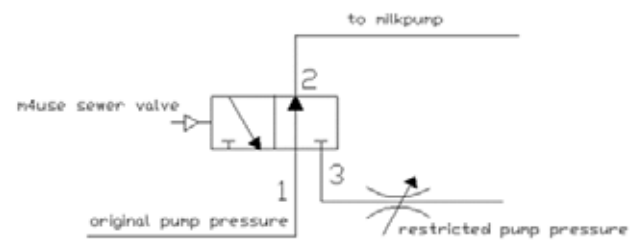
SLOW PUMP M4USE

The high pressure the milk is pumped out the robot is not suitable for the M4use. In order to prevent a number of consequences, this product has been developed.

Milk is pumped out the robot with 2,5 bar pressure. This pressure comes through the M4use making that these things can occur:

- Foamed milk
- The M4use buckets can only be filled for 3/4, otherwise all milk will be sprayed
- Due to the high pressure, the M4use valve is often closed so that no more milk can come out (resulting in 'Emptying the milk glass too long')
- Shut-off seals in the M4use valve are deformed by the pump pressure with as result that they break.

Solution is the M4Use slow pump system. This is a 4mm air operated 3/2 valve to nip the air pressure on the milk pump when it pumps to the M4use. This is controlled by the sewer valve.



SLOW PUMP M4USE



Part No.	Description
200370	Slow pump M4use

MANURE DISPOSAL TRAP

This manure disposal trap eliminates an open connection between the milking system and the manure pit underneath the robot.

It is important to maintain clean and dry milking barn. The trap for liquid manure disposal has an open interior. The housing has a hygienic way out of the automatic milking system. The manure disposal trap is removable.

For hygienic reasons, an open connection is prohibited in a number of countries.

- Neat finish
- Easy clean



MANURE DISPOSAL TRAP



Part No.	Description
400193	Manure disposal trap A4/A5
7410024	Manure disposal Collector

ROBOT ARM HOOD

Stainless steel as a replacement for the carbon cap. When there is sand in the cubicles, sand and water becomes sandpaper. With the stainless steel hood the robot arm will remain longer.

ROBOT ARM HOOD



Part No.	Description
7410001	Robot arm hood Left
7410002	Robot arm hood Right

TOOLS

You must be able to rely on the machines you work with at all times of the day and throughout the year. Regular maintenance plays an important role in this.



BEARING PULLER



Part No.	Description
7410007	Bearing puller brush arm robot

SUPPORT FOR BEARING PLATE

Part No.	Description
300450	Support bearing plate

BACKFLOW PREVENTER

In some countries it is required to have this installed for the protection of drinking water installations against backflow of used water. This backflow preventor has a professional implementation so break downs can be occurred.

SUPPORT FOR BEARING PLATE



Part No.	Description
333999	Backflow preventor 22 x 22mm

2. Vector

MAGNETIC SAFETY SWITCH

The magnetic safety switch is a fail-safe solution to make sliding doors a part of the safety circuit of the Vector system.

Sliding doors are common used for feed kitchens. It is recommended to mount a locking bolt inside the feed kitchen to prevent someone is stopping the Vector system by opening one of the sliding doors by mistake.



MAGNETIC SAFETY SWITCH

Part No.	Description
500910	Magnetic safety switch



WATERVALVE WITHOUT PRESSURE



Part No.	Description
300901	Water valve without pressure

3. Cosmix

COSMIX FEED FUNNEL

To create more spare on top of your cosmix where you can stall 22kg of cattle pallets in your cosmix.



COSMIX FEED FUNNEL



Part No.	Description
500120	Cosmix feed funnel single
500220	Cosmix feed funnel double
500230	Cosmix feed funnel lid

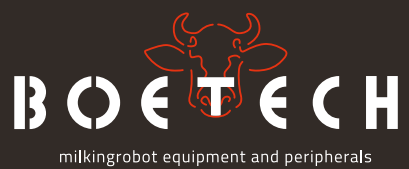
3. Discovery

WHEEL DISCOVERY ADJUSTED WELDED RING

An adjustment on the wheel of the discovery. This will prevent that the discovery will follow its way through the barn.

WHEEL DISCOVERY ADJUSTED WELDED RING

Part No.	Description
900168	Wheel discovery adjusted with welded ring



Antennestraat 38
1322 AE Almere

sales@boetech.nl
+31 854 89 8410

boetechmeps.com